

RLT-M

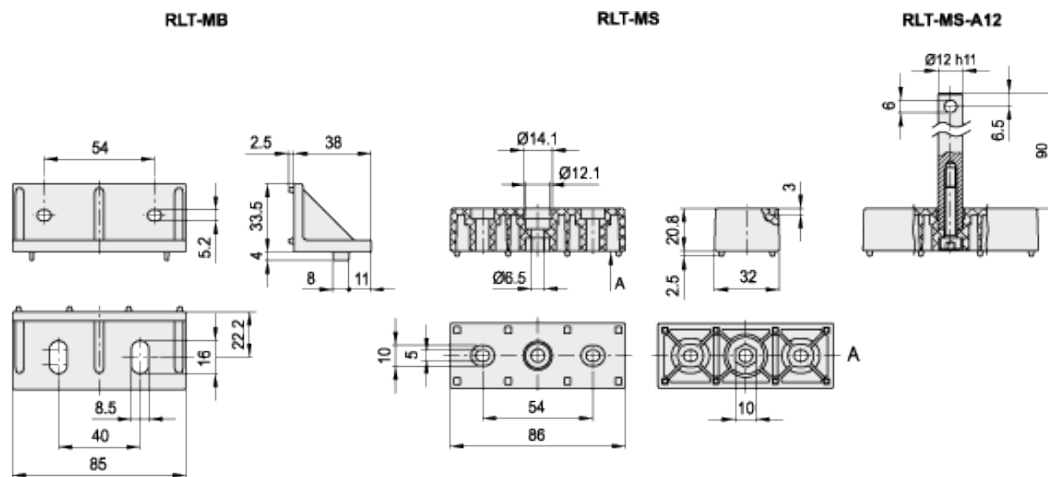
Bracket and support for ELEROLL roller tracks



FM Design



ele:roll*



technical informations

Material

Polyamide based (PA) technopolymer, black colour.

Standard executions

- RLT-MB: bracket.
- RLT-MS: support.
- RLT-MS-A12: support with connecting rod and M6 cylindrical head screw with hexagon socket.

Features and applications

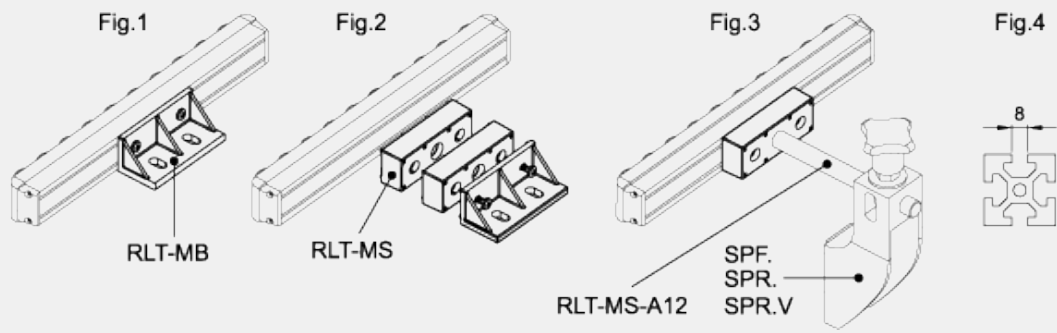
The bracket and the support facilitate the mounting of ELEROLL roller tracks on machines and other supporting structures.

Assembly

The bracket and the support are equipped with dowels that are housed in the slots in the lower side of RLT-AL aluminum profiles (Fig. 1) and in special counterseats on the same support for the combination of more supporting elements (Fig. 2). RLT-MB bracket is compatible with profiles having a slot of 8 mm width (Fig.4).

The bracket and the support allow to mount ELEROLL roller tracks in different configurations. Some examples are shown in Fig.1, Fig.2 and Fig.3.

* Trademark application



Standard Elements		Weight
Code	Description	g
429841	RLT-MB	35
429846	RLT-MS	49
429848	RLT-MS-A12	145



ELESA and GANTER models all rights reserved in accordance with the law. Always mention the source when reproducing our drawings.

STANDARD MACHINE ELEMENTS WORLDWIDE